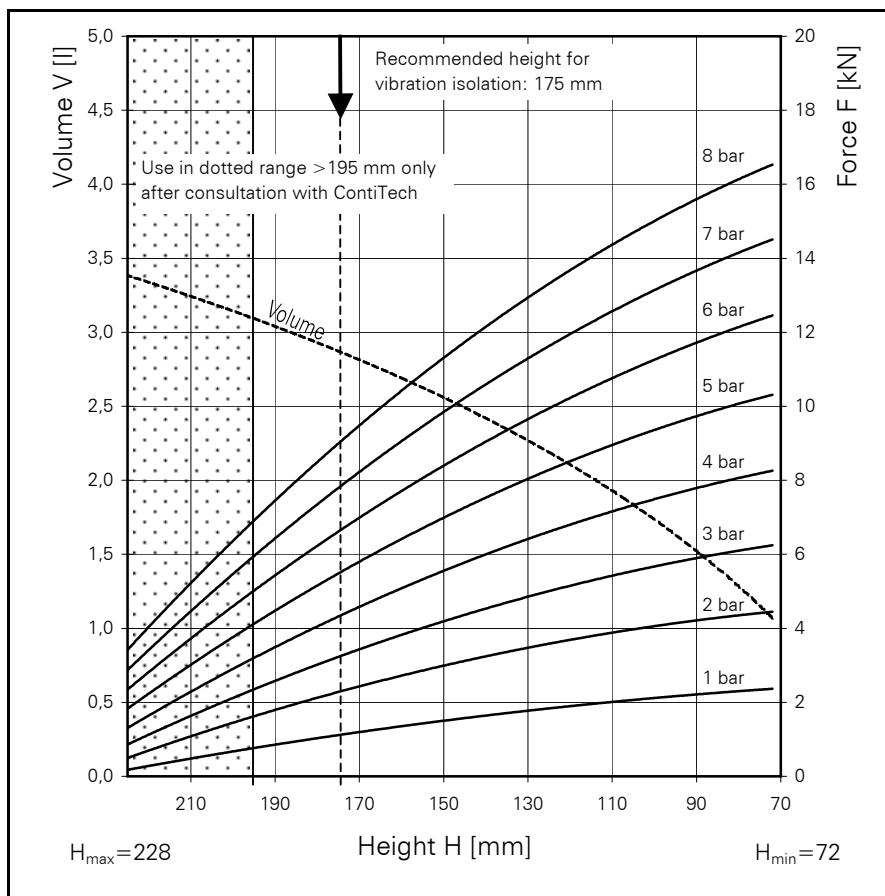
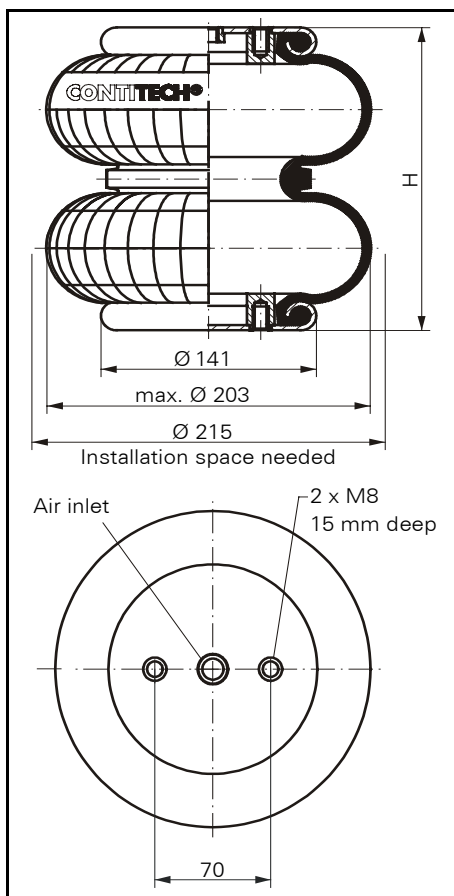


FD 110-15

CONTI® Double Convolution Air Spring



FD 110-15

Force-height diagram

Purchase order data

| Type | Order No. |
|--|------------|
| Rubber bellows only | on request |
| With clamped plates G 3/4 air inlet | 61382 |
| With clamped plates G 1/4 air inlet | 61381 |

Additional types on request

Technical data

| | |
|------------------------------------|---------|
| Min. pressure | 0 bar |
| Return force to min. height | ≤ 200 N |
| Overall weight with clamped plates | 2.1 kg |

Vibration isolation - dynamic characteristic values

Design height H: recommended 175mm, minimum 155mm

| | | | | | | | |
|------------------------|-----|-----|------|------|------|------|---------|
| Pressure p [bar] | 3 | 4 | 5 | 6 | 7 | 8 | Vol [l] |
| Force (Load) [kN] | 3.3 | 4.5 | 5.6 | 6.8 | 8.0 | 9.2 | 2.9 |
| Spring rate [N/cm] | 675 | 890 | 1110 | 1300 | 1470 | 1675 | |
| Natural frequency [Hz] | 2.3 | 2.2 | 2.2 | 2.2 | 2.1 | 2.1 | |

Pneumatic application - static characteristic values

Force F [kN]

| | | | | | | | | |
|------------------|-----|-----|-----|------|------|------|---------|-----|
| Pressure p [bar] | 3 | 4 | 5 | 6 | 7 | 8 | Vol.[l] | |
| Height H [mm] | 180 | 3.1 | 4.1 | 5.2 | 6.3 | 7.4 | 8.6 | 2.9 |
| | 160 | 3.9 | 5.1 | 6.5 | 7.8 | 9.1 | 10.5 | 2.7 |
| | 140 | 4.5 | 6.0 | 7.5 | 9.0 | 10.6 | 12.2 | 2.4 |
| | 120 | 5.0 | 6.7 | 8.4 | 10.1 | 11.8 | 13.6 | 2.1 |
| | 100 | 5.6 | 7.4 | 9.3 | 11.2 | 13.1 | 15.0 | 1.7 |
| | 80 | 6.1 | 8.1 | 10.1 | 12.2 | 14.2 | 16.2 | 1.2 |



Service instructions
 M8 = 25 Nm
 G 1/4 = 25 Nm
 G 3/4 = 50 Nm