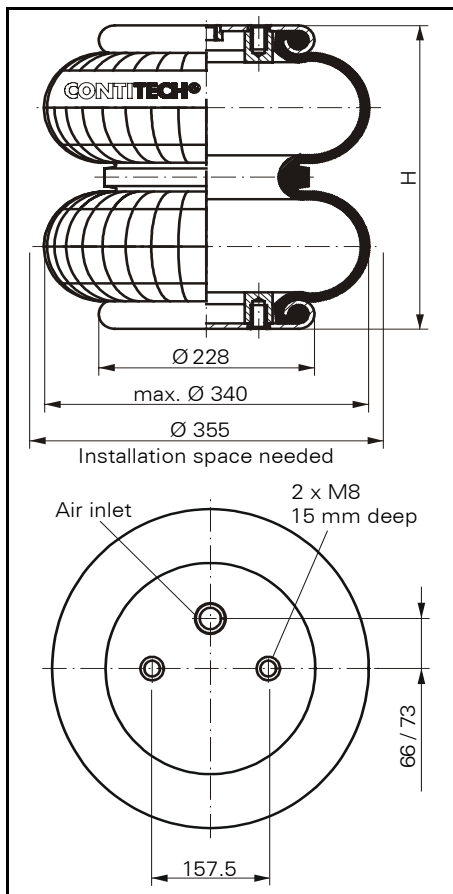
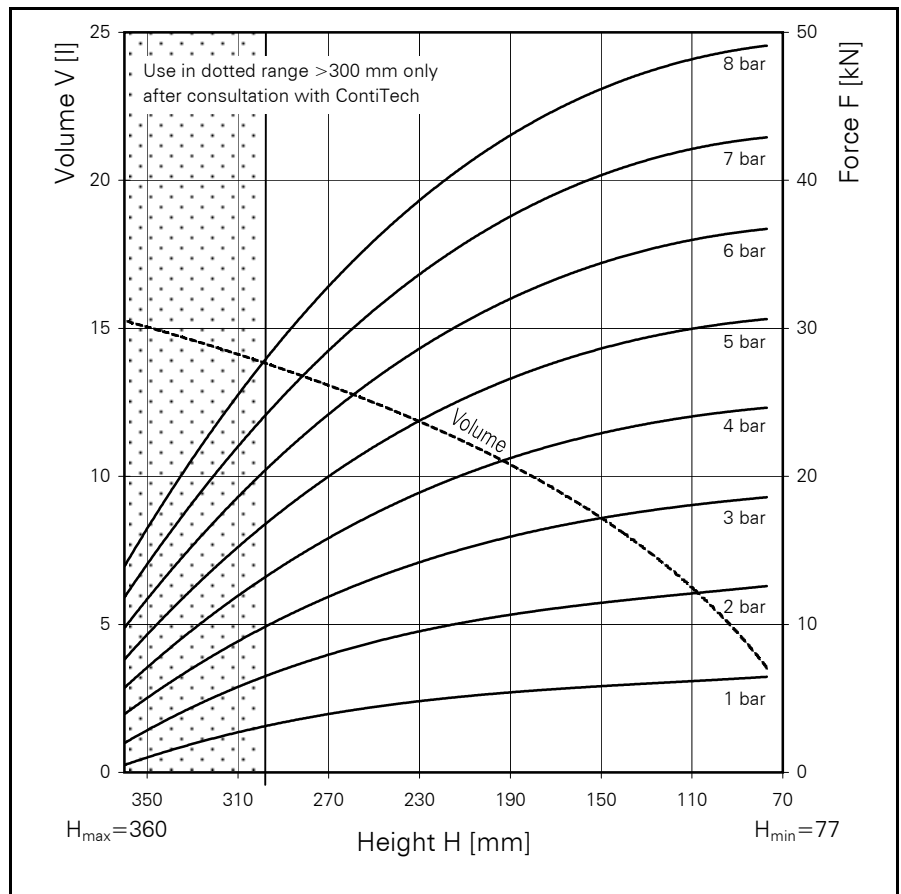


**FD 330-30**

**CONTI® Double Convolution Air Spring**



FD 330-30



Force-height diagram

**Purchase order data**

Type	Order No.
Rubber bellows only	on request
With clamped plates G 1 air inlet 66 mm excentrical	60891
With clamped plates G 1/4 air inlet 73 mm excentrical	60417

**Technical data**

Min. pressure	0 bar
Return force to min. height	≤ 300 N
Overall weight with clamped plates	5.1 kg

Additional types on request

**Pneumatic application - static characteristic values**

Force F [kN]

Pressure p [bar]	3	4	5	6	7	8	Vol.[l]	
Height H [mm]	300	9.8	13.1	16.7	20.3	24.0	27.7	14.0
	260	12.5	16.7	21.0	25.4	29.9	34.5	13.0
	220	14.6	19.4	24.4	29.4	34.5	39.6	11.6
	180	16.2	21.6	27.0	32.5	38.2	43.8	9.9
	140	17.6	23.4	29.3	35.2	41.3	47.2	7.8
	100	18.3	24.4	30.3	36.3	42.4	48.5	5.5



Service instructions  
 M8 = 25 Nm  
 G 1/4 = 25 Nm  
 G 1 = 50 Nm