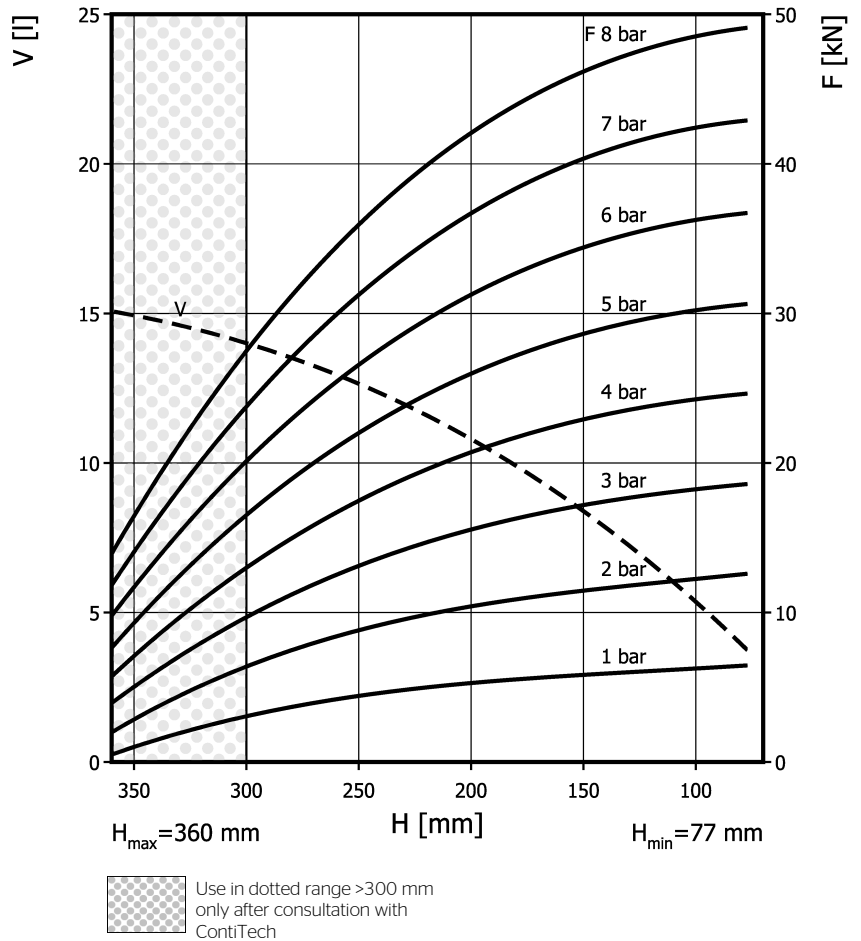
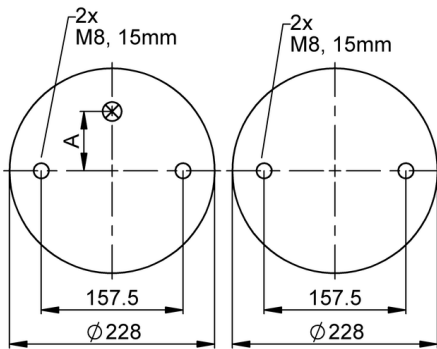
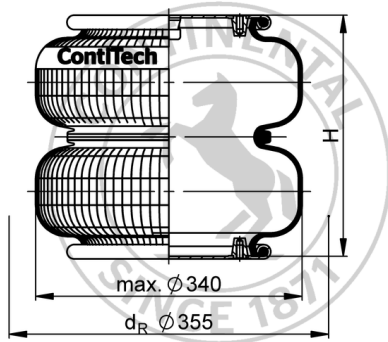


## FD 330-30 CI

## Double Convolution Air Actuator



## Purchase order data

| Type   | Order No. |
|--|-----------|
| rubber bellows only  | 60516     |
| with crimped plates, G1/4 air inlet<br>A = 73 mm excentrical                 | 60417     |
| with crimped plates, G1 air inlet<br>A = 66 mm excentrical                   | 60891     |
| with stainless steel crimped plates, G3/4 air inlet<br>A = 73 mm excentrical | 69775     |

Additional types on request

## Technical data

|                            |         |
|----------------------------|---------|
| Min. pressure              | 0 bar   |
| Return force to min height | ≤ 300 N |
| Overall weight             | 5.1 kg  |

## Pneumatic application - static characteristic values

| Pressure p [bar] | 3   | 4    | 5    | 6    | 7    | 8    | Vol. V [l] |     |
|------------------|-----|------|------|------|------|------|------------|-----|
| Force F [kN]     |     |      |      |      |      |      |            |     |
| Height H [mm]    | 300 | 9.8  | 13.1 | 16.7 | 20.3 | 24   | 27.7       | 14  |
|                  | 260 | 12.5 | 16.7 | 21   | 25.4 | 29.9 | 34.5       | 13  |
|                  | 220 | 14.6 | 19.4 | 24.4 | 29.4 | 34.5 | 39.6       | 12  |
|                  | 180 | 16.2 | 21.6 | 27   | 32.5 | 38.2 | 43.8       | 9.9 |
|                  | 140 | 17.6 | 23.4 | 29.3 | 35.2 | 41.3 | 47.2       | 7.8 |
|                  | 100 | 18.3 | 24.4 | 30.3 | 36.3 | 42.4 | 48.5       | 5.5 |



Service instructions  
 M8: max. 25 Nm  
 G1/4: max. 25 Nm  
 G1: max. 50 Nm  
 G3/4: max. 50 Nm

Measuring procedure: Room temperature / Force-height-data quasistatic / Dynamic data at 1 Hz