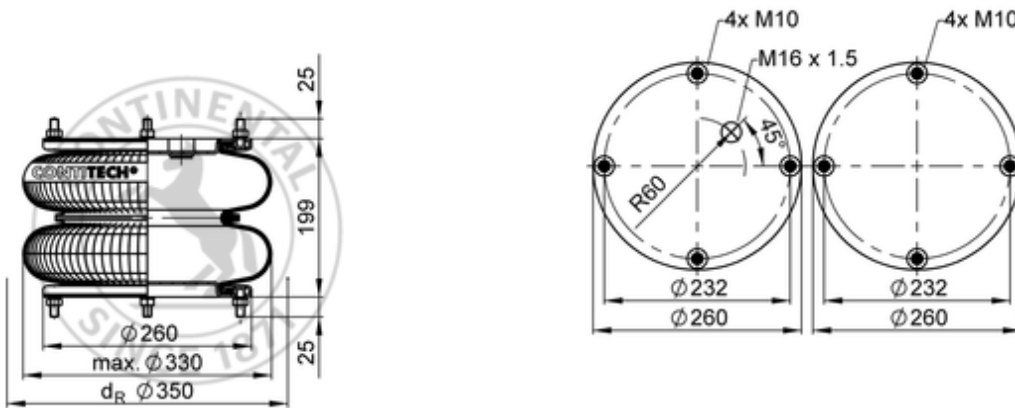


FD 412-18 P01
66299


- bolt or stud
- hole
- combination stud
- air inlet
- stud and nut

kg	7 kg
	incl.
	G1/2: max. 25 Nm
	M10: max. 35 Nm
	M16x1.5: max. 45 Nm

OE Manufacturer/Part No.

Manufacturer	Original Part No.	Model
Lohr	A06030601	
Granning	15814	
Fruehauf	UJB 0985	
SMB	M063796	