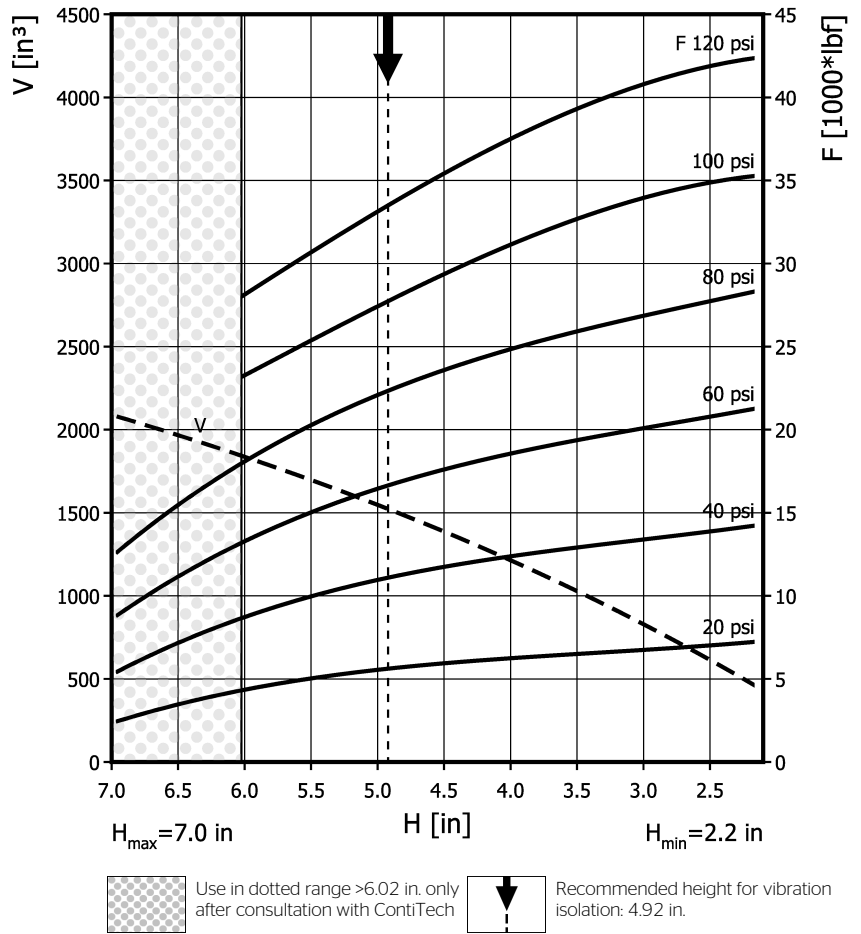
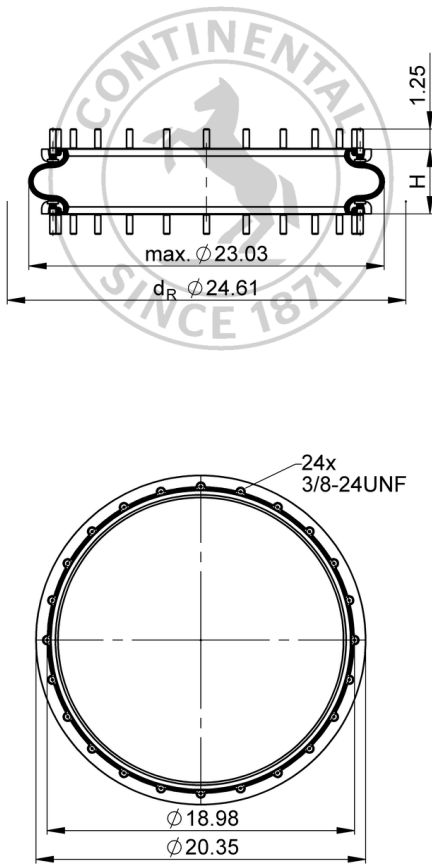


FS 1710-12 RS

Single Convolution Air Actuator



Purchase order data

Type	Order No.
rubber bellows only	61782
with bead rings, 1 7/8in bolts, nuts and washers	75383

Additional types on request

Technical data

Min. pressure	0	psi
Return force to min height	≤ 164	lbf
Overall weight	19.2	lb

Vibration isolation - dynamic characteristic values

Design height H: recommended 4.92 inch, minimum 4.33 inch

Pressure p	[psi]	40	60	80	100	120	Vol. V [in.³]
Force (Load)	[lbf]	11100	16400	22300	28100	33900	1520
Spring rate	[lbf/in.]	5450	7560	9880	12100	14400	
Natural frequency	[Hz]	2.2	2.2	2.1	2.1	2.1	

Pneumatic application - static characteristic values

Force F [lbf]

Pressure p	[psi]	40	60	80	100	120	Vol. V [in.³]
Height H [in.]	5.5	9980	15000	20200	25500	30800	1700
	5.0	10700	16200	21700	27400	33000	1500
	4.5	11500	17300	23200	29200	35300	1400
	4.0	12300	18500	24800	31100	37500	1200
	3.5	13000	19500	26000	32600	39300	1000
	3.0	13600	20300	27100	33900	40800	840
	2.5	13900	20800	27800	34800	41800	640


 Service instructions
 3/8-24 UNF: max. 30 lbf ft

Measuring procedure: Room temperature / Force-height-data quasistatic / Dynamic data at 1 Hz