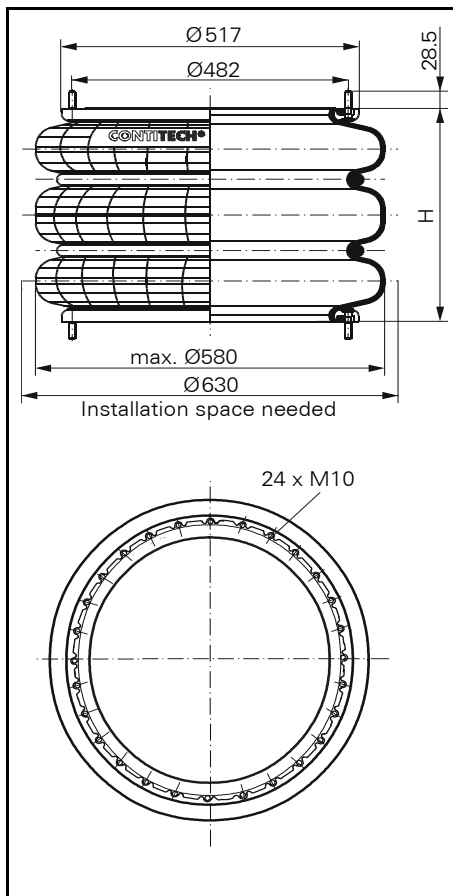
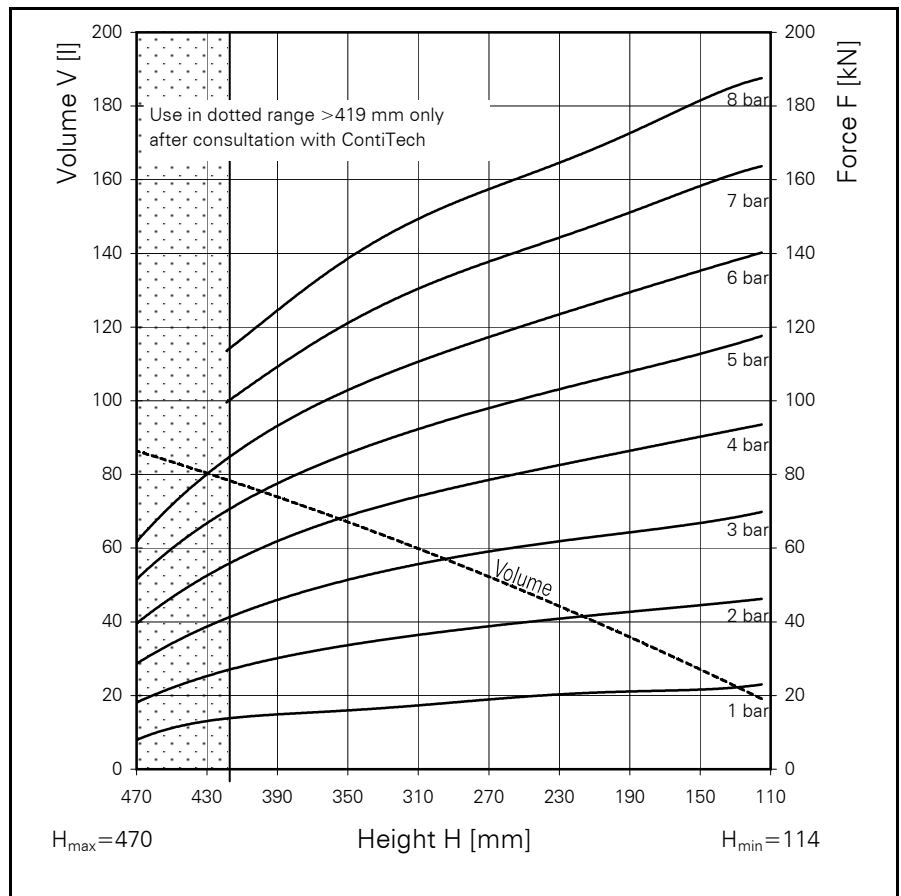


FT 1710-38

CONTI® Triple Convolution Air Spring



FT 1710-38



Force-height diagram

Purchase order data

Type	Order No.
Rubber bellows only	61784
Bellows with bead rings 45mm bolts, nuts and washers	61911

Technical data


Min. pressure	0 bar
Return force to min. height	≤ 400 N
Overall weight with clamped plates	14.5 kg

Additional types on request

Pneumatic application - static characteristic values

Force F [kN]

Pressure p [bar]	3	4	5	6	7	8	Vol.(l)
Height H [mm]	390	45.3	61.8	77.3	93.3	110.0	74.0
	350	51.3	68.9	85.3	103.0	121.0	67.0
	310	56.5	74.0	92.3	111.0	130.0	60.0
	270	59.8	78.7	98.1	118.0	138.0	52.0
	230	61.1	82.6	103.0	123.0	144.0	44.0
	190	63.9	86.2	108.0	129.0	151.0	36.0
	150	67.5	90.4	113.0	135.0	159.0	27.0

 Service instructions
M 10 = 40 Nm