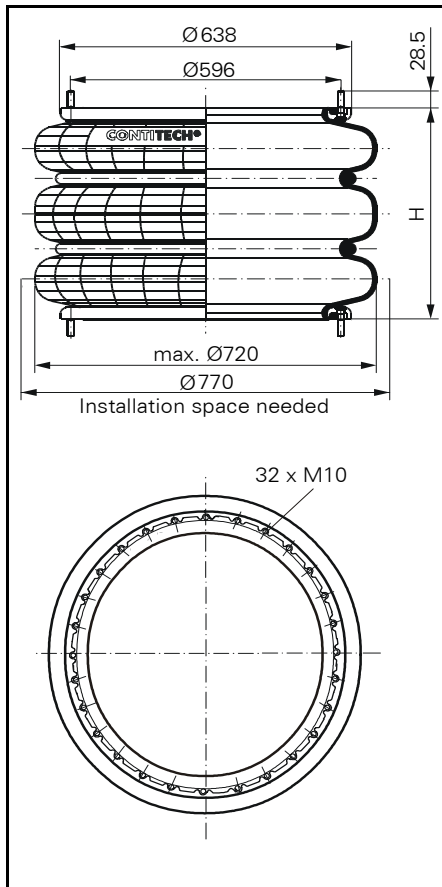
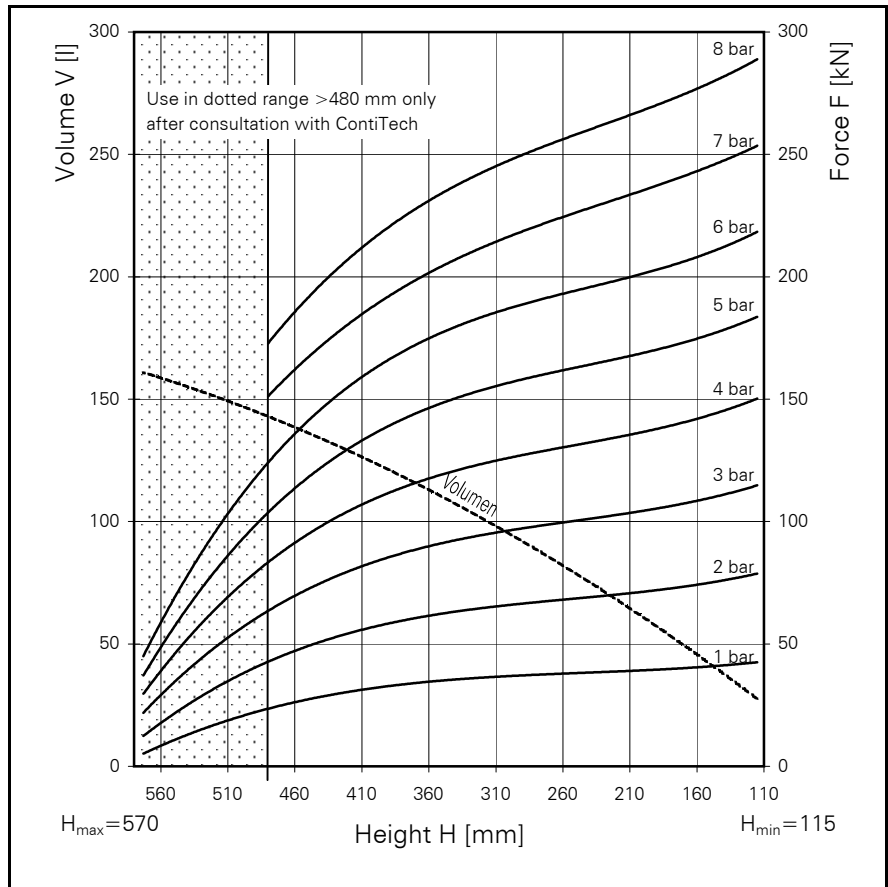


FT 2870-45

CONTI® Triple Convolution Air Spring



FT 2870-45



Force-height diagram

Purchase order data

Type	Order No.
Rubber bellows only	61790
With bead rings, 45 mm bolts, nuts, washers	61912

Additional types on request

Technical data

Min. pressure	0 bar
Return force to min. height	≤ 800 N
Overall weight with clamped plates	17.0 kg

Pneumatic application - static characteristic values

Force F [kN]

Pressure p [bar]	3	4	5	6	7	8	Vol.[l]	
Height H [mm]	480	65.5	85.0	106.0	126.0	151.0	173.0	145.0
	400	83.0	109.0	135.0	162.0	189.0	216.0	125.0
	320	95.0	123.0	153.0	183.0	213.0	243.0	102.0
	240	101.0	133.0	164.0	196.0	227.0	261.0	73.0
	160	110.0	142.0	177.0	210.0	244.0	277.0	41.0



Service instructions
M10 = 40 Nm