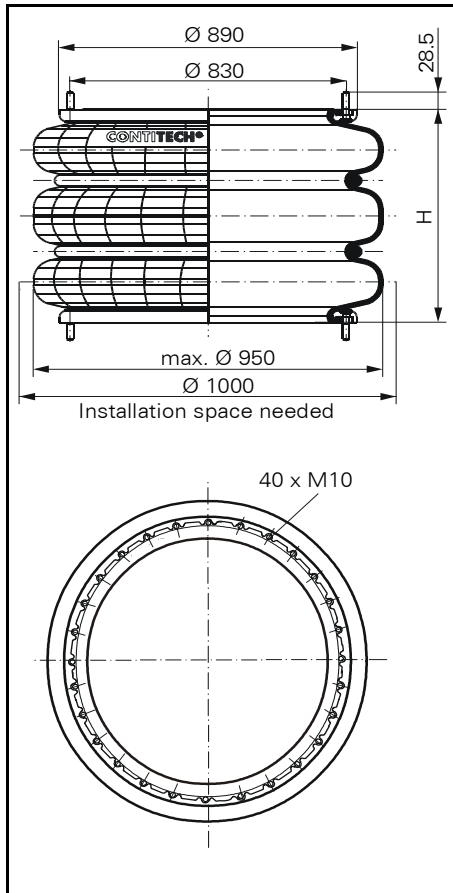
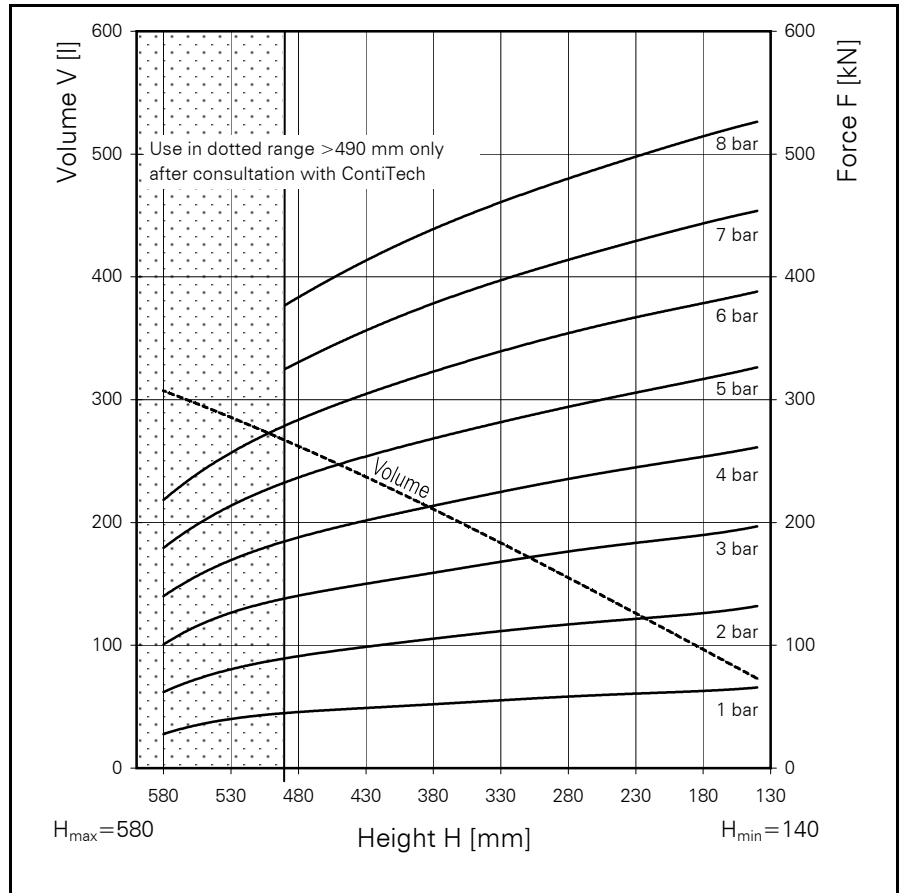


FT 5450-44

CONTI® Triple Convolution Air Spring



FT 5450-44



Force-height diagram

Purchase order data

Type	Order No.
Rubber bellows only	61787
Bellows with bead rings 45mm bolts, nuts and washers	61913

Technical data

Min. pressure	0 bar
Return force to min. height	≤ 1690 N
Overall weight with clamped plates	44.0 kg

Additional types on request

Pneumatic application - static characteristic values

Force F [kN]

Pressure p [bar]	3	4	5	6	7	8	Vol. (l)	
Height H [mm]	440	148.0	198.4	249.9	300.2	351.2	407.4	243.5
	400	155.5	209.2	263.7	316.5	370.3	429.6	221.0
	360	163.0	218.8	274.2	330.1	386.2	448.0	199.1
	320	170.0	227.1	284.6	342.5	400.7	464.8	176.9
	280	176.1	235.0	293.1	353.7	413.8	480.0	155.1
	240	181.9	243.2	303.6	364.0	425.9	494.0	132.4
	200	187.3	250.0	312.6	375.0	438.8	509.0	109.8
	160	193.2	257.7	321.8	382.9	448.0	519.7	85.1



Service instructions
M 10 = 40 Nm