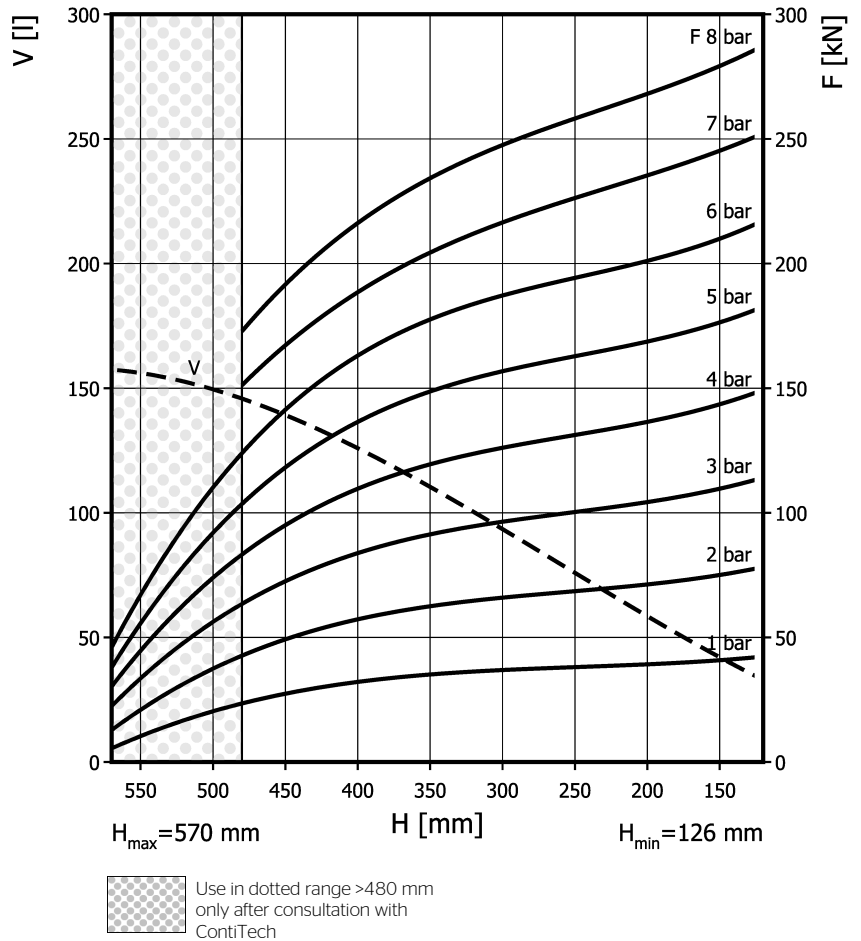
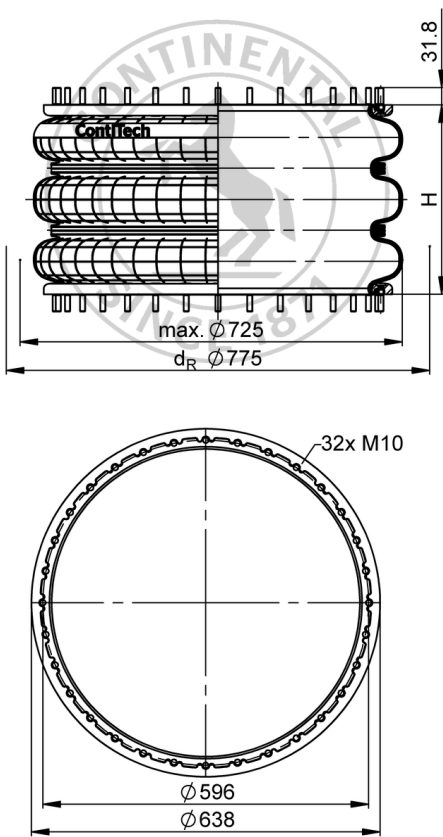


## FT 2870-45 RS

## Triple Convolution Air Actuator



## Purchase order data

Type	Order No.
rubber bellows only	61790
with bead rings, 48mm bolts, nuts and washers	61912

Additional types on request

## Technical data

Min. pressure	0 bar
Return force to min height	≤ 950 N
Overall weight	17 kg

## Pneumatic application - static characteristic values

Force F [kN]								
Pressure p [bar]		3	4	5	6	7	8	Vol. V [l]
Height H [mm]	480	65.5	85	106	126	151	173	150
	400	83	109	135	162	189	216	130
	320	95	123	153	183	213	243	100
	240	101	133	164	196	227	261	73
	160	110	142	177	210	244	277	41


 Service instructions  
 M10: max. 40 Nm

Measuring procedure: Room temperature / Force-height-data quasistatic / Dynamic data at 1 Hz