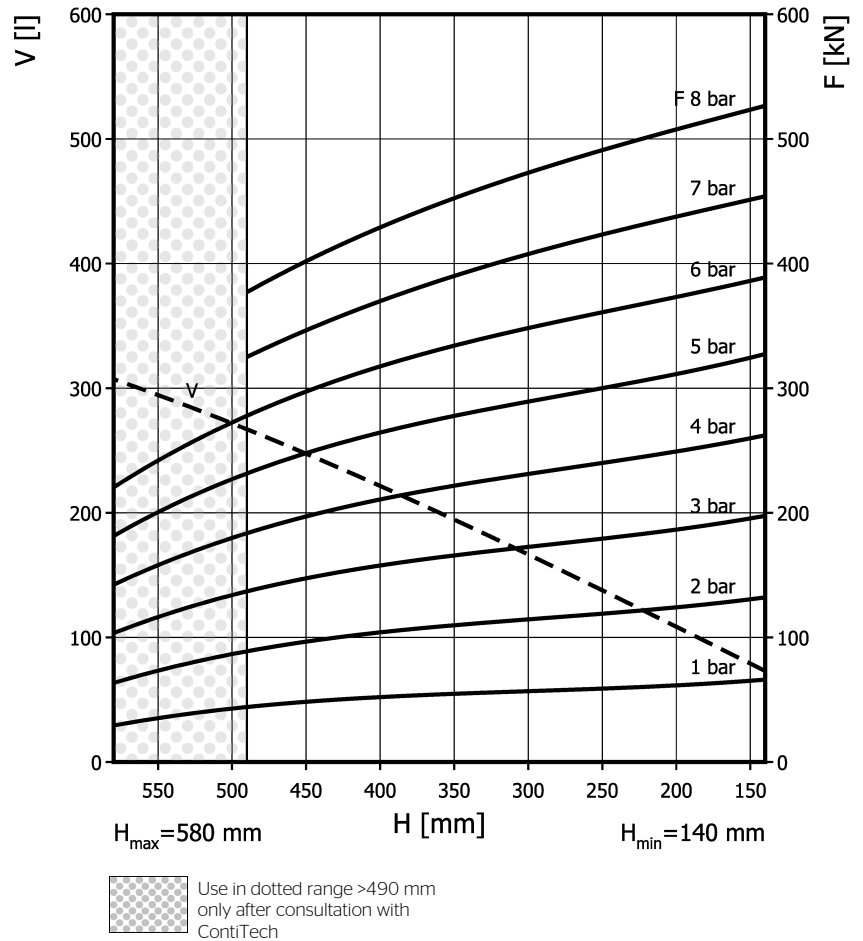
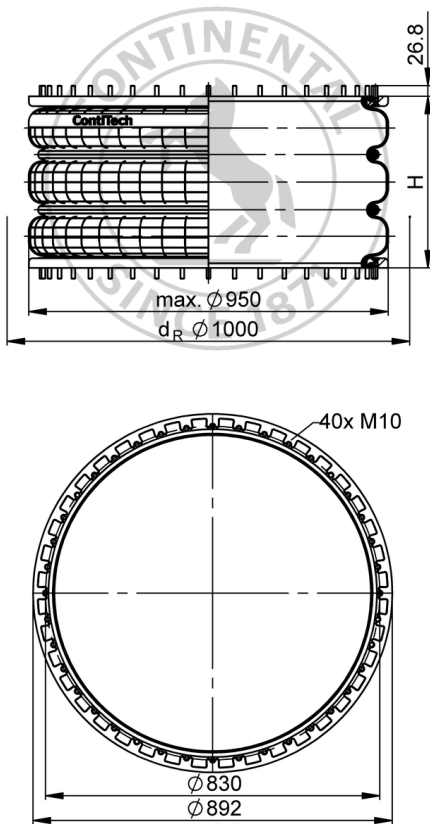


FT 5450-44 RS

Triple Convolution Air Actuator



Purchase order data

Type	Order No.
rubber bellows only	61787
with bead rings, 48mm bolts, nuts and washers	61913

Additional types on request

Technical data

Min. pressure	0 bar
Return force to min height	≤ 7500 N
Overall weight	44 kg

Pneumatic application - static characteristic values

Force F [kN]								
Pressure p [bar]		3	4	5	6	7	8	Vol. V [l]
Height H [mm]	490	138	185	232	278	325	377	270
	440	148	198	250	300	351	407	240
	360	163	219	274	330	386	448	200
	280	176	235	293	354	414	480	160
	200	187	250	313	375	439	509	110


 Service instructions
 M10: max. 40 Nm

Measuring procedure: Room temperature / Force-height-data quasistatic / Dynamic data at 1 Hz