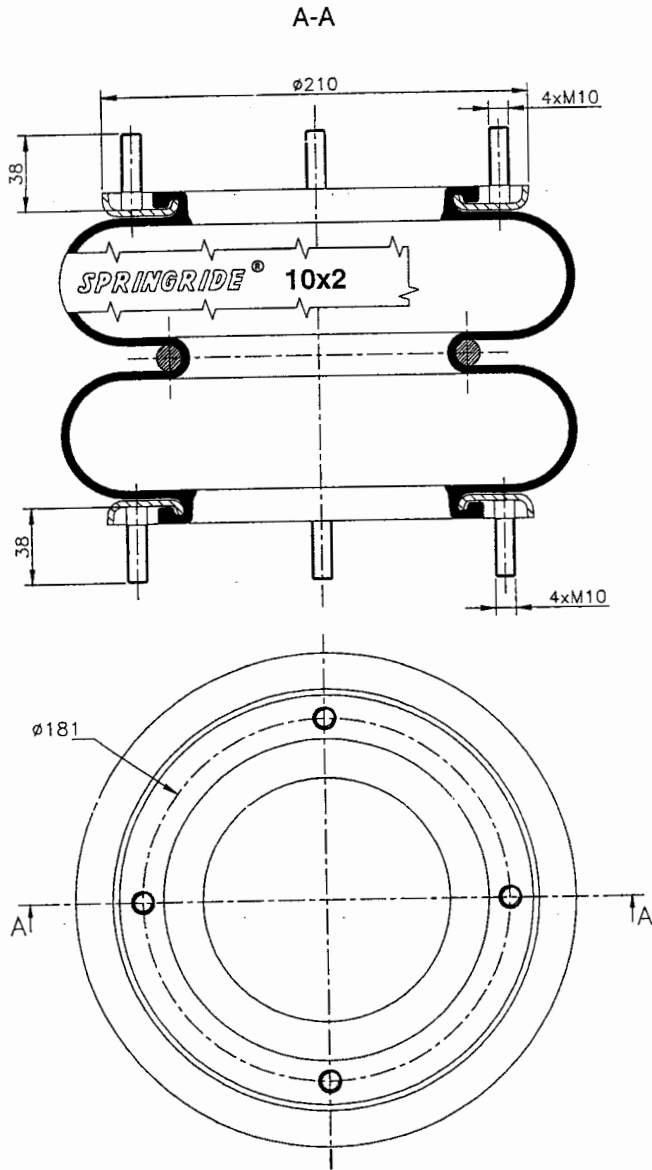


SP1003

10"x2



Fastening Torque	M10 : 25Nm
Weight	2.93 kg
Maximum Diameter	270 mm
Minimum Height	75 mm
Maximum Height	300 mm
Air Inlet	

Main Applications

OE No.

Competitor