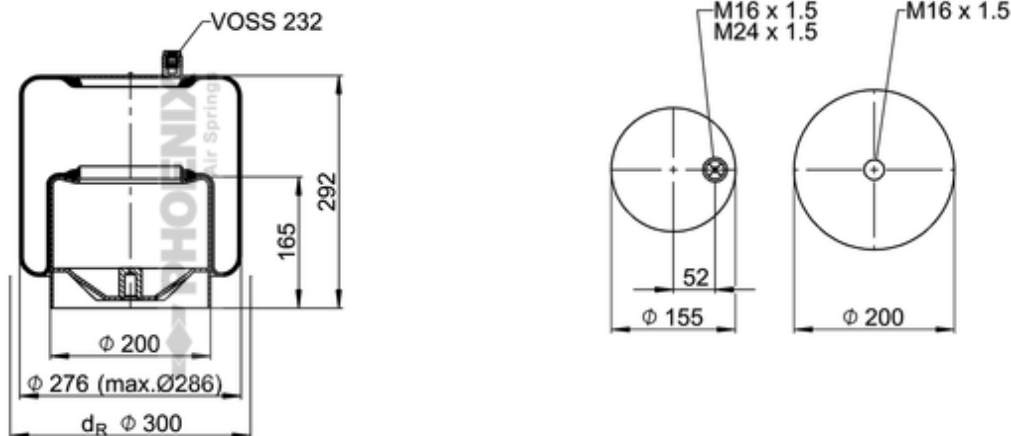

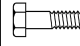





1 KF 21-21

71998



● bolt or stud ○ hole ⊗ combination stud ⊗ air inlet

	6,9 kg
	K021
	
	M16x1.5: max. 130 Nm
	M24x1.5: max. 100 Nm

OE Manufacturer/Part No.

Manufacturer	Original Part No.	Model
Mercedes	942 320 49 21	
Mercedes	942 320 28 21	
Mercedes	A 942 320 49 21	Actros
Mercedes	A 942 320 28 21	Actros MP2