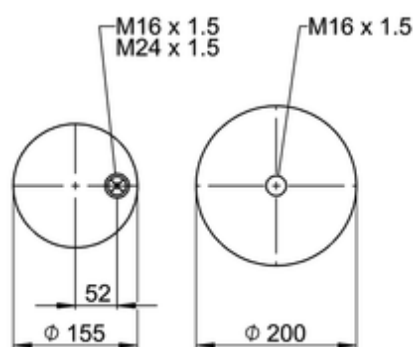
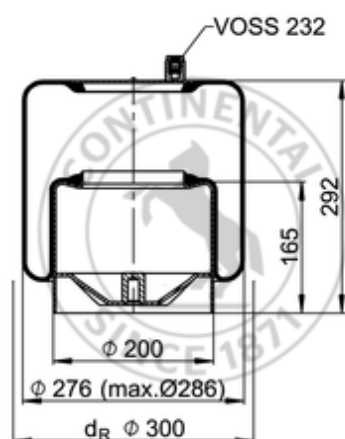





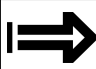
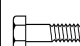





4390 N P21

62424



-  bolt or stud
-  hole
-  combination stud
-  air inlet
-  stud and nut

	6,8 kg
	4390 N P01
	K021
	
	M16x1.5: max. 130 Nm
	M24x1.5: max. 100 Nm

### OE Manufacturer/Reference No.

Manufacturer	Original-part no.	Model
Mercedes	A 942 320 49 21	Actros
Mercedes	A 942 320 01 21	Actros
Mercedes	A 942 320 28 21	Actros MP2